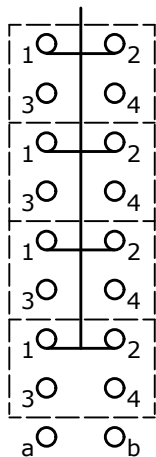
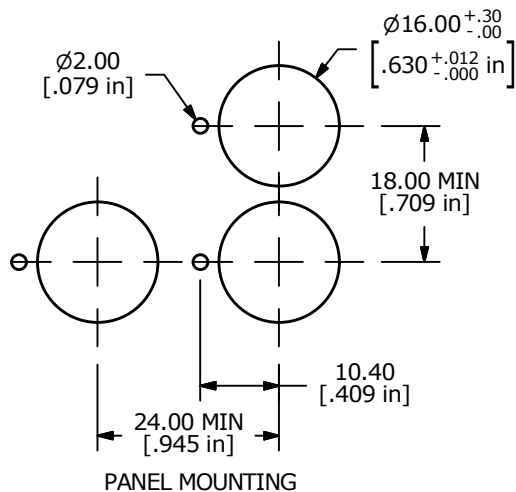


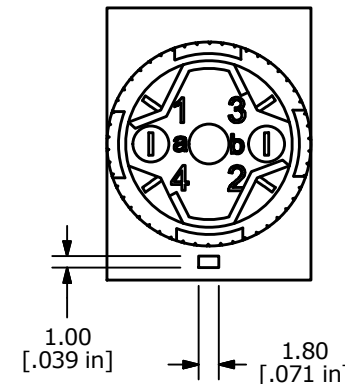
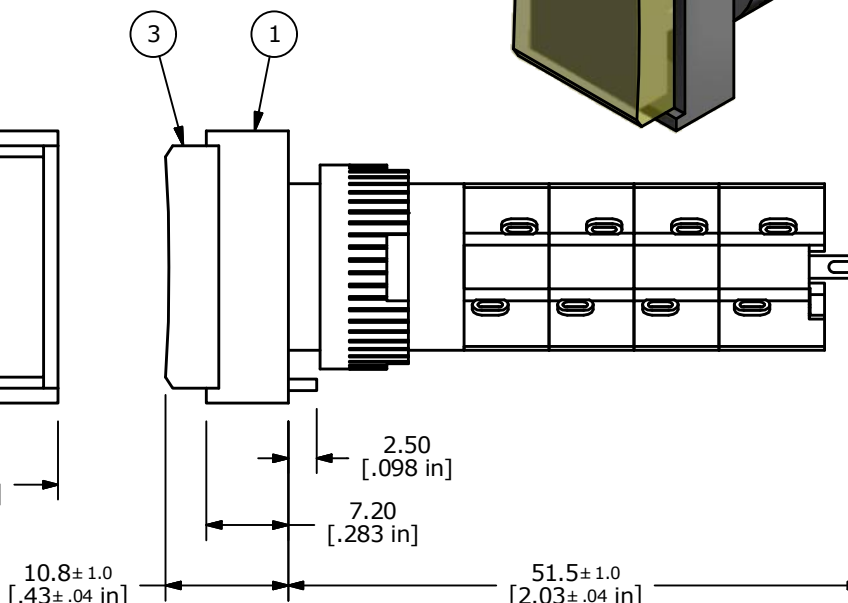
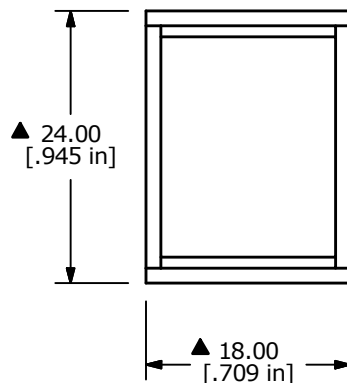
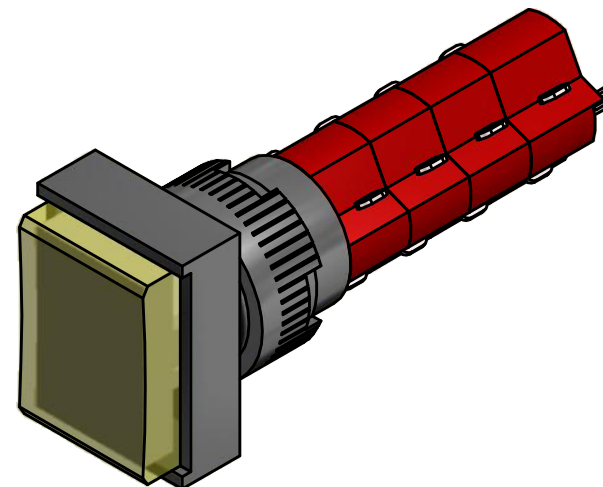
PARTS LIST				
ITEM	QTY	PART NUMBER	DESCRIPTION	
1	1	F040044	D16OAT14	
2	-	-	NO LAMP	
3	1	F050206	5000206 TRANSPARENT YELLOW LENS RECTANGULAR CONCAVE	



4PDT CONTACT CONFIGURATION



PANEL MOUNTING



NOTE:

1. ALL DIMENSIONS IN MM [INCH]
2. GENERAL TOLERANCE: X.X = ±0.4
X.XX = ±0.25
3. TERMINAL NUMBERS FOR REF ONLY
4. RATING: 5A @ 250 VAC, 8A @ 125 VAC
6A @ 24 VDC
5. ELECTRIC LIFE: 50,000 CYCLES
6. INSULATION RESISTANCE: 1,000 MΩ MIN.
7. PANEL THICKNESS: 0.5 - 5.0 mm
8. SEAL RATING: IP40
9. OPERATING TEMP.: -25°C to 55°C
- ▲ 10. LAMP VOLTAGE: NO LAMP
11. ▲ DENOTES CRITICAL PARAMETER.
12. 2002/05/EC (ROHS) COMPLIANT.
- ▲ 13. TRAVEL: 3.0mm FULL - MOMENTARY



A	22032	RELEASED FOR PRODUCTION	10/29/15	MW
REV	PCR NO	DESCRIPTION	DATE	BY

TITLE D16OAT140YEL				
SCALE	DATE	DR	DWG	REV
3:2	10/29/2015	MW	XF0905P	A

THE INFORMATION CONTAINED IN THIS DOCUMENT IS PROPRIETARY TO E-SWITCH AND IS NOT TO BE COPIED OR TRANSFERRED